



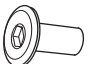
# Packing Layout for Aspen Disappearing Desk Bed


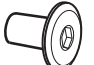
Customer \_\_\_\_\_

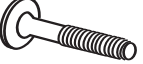


Invoice \_\_\_\_\_



**Connecting Bolt**  
30  
(Bag Label)  
**1** By \_\_\_\_\_


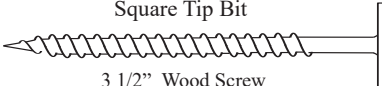






 16  
**3/16" Machine Screw**  
 16  
**3/16" Barrel Nut**

 4  
**1/4" x 40mm**  
 4  
**1/4" Barrel Nut**  
 (Bag Label)  
**7** By \_\_\_\_\_

 2  
**1/4" x 45mm Connector**  
 4  
**1/4" x 20mm Connector**  
 4  
**4mm Allen wrench**  
 (Bag Label)  
**8** By \_\_\_\_\_
 


**DVD**

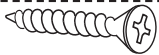
Place DVD in  
Manila envelope      By \_\_\_\_\_


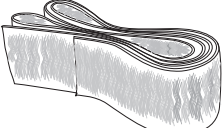
 1  
**Square Tip Bit**  
 3  
**3 1/2" Wood Screw**  
 1  
**1/4" Drill Bit**  
 (Bag Label)  
**6** By \_\_\_\_\_
 
 4  
**2 1/2" BLACK Wood Screw**  
 4  
**Black Finish Washer**  
 8  
**8mm wood dowel**  
 (Bag Label)  
**9** By \_\_\_\_\_
 
 Qty 2  
**Park City Style Handle**      Qty 2  
 4  
**1-3/8" Machine screw**  
 (Bag Label)  
**13** By \_\_\_\_\_
 

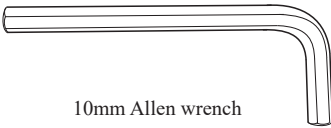
**WARNING!**

WALLBED MUST BE ANCHORED SECURELY TO THE STUDS IN YOUR WALL! FAILURE TO ANCHOR PROPERLY MAY CAUSE SEVERE PERSONAL INJURY OR DAMAGE TO UNIT SEE INSTALLATION INSTRUCTION OR CALL 866-725-6401 FOR MORE INFORMATION THIS LABEL MUST BE MOUNTED TO BED CABINET TOP

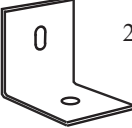

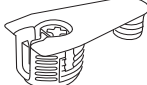
 60  
**1 1/4" Pocket Hole Screw**

 26  
**1 1/4" Wood Screw**

 4  
**1 1/4" Phillips washer head wood screw**  
 2  
**Elastic Straps**  
 (Bag Label)  
**10** By \_\_\_\_\_

 1  
**10mm Allen wrench**  
 (Bag Label)  
**11** By \_\_\_\_\_
 

**TWIN SIZE EXTRA HARDWARE**

 2  
 4  
**5/8" Pan head Screw**  
 (Bag Label)  
**T** By \_\_\_\_\_  
 Twin Size bed
 
 4  
**Cam Fitting**  
 (Bag Label)  
**Extra** By \_\_\_\_\_
 

By \_\_\_\_\_

Warning Label (Attach to Bridge Top)