


Packing Layout for Mission Disappearing Desk Bed

Customer _____


Invoice _____



Connecting Bolt


30
(Bag Label)

1 By _____




16

3/16" Machine Screw



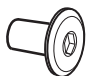
16

3/16" Barrel Nut



4

1/4" x 40mm




4

1/4" Barrel Nut


(Bag Label)

7 By _____




2

1/4" x 45mm Connector



4

1/4" x 20mm Connector



4mm Allen wrench


(Bag Label)

8 By _____

DVD

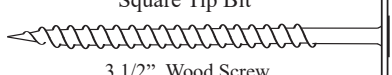
Place DVD in
Manila envelope

By _____




1

Square Tip Bit



3


3 1/2" Wood Screw



1/4" Drill Bit


(Bag Label)

6 By _____




4

2 1/2" BLACK Wood Screw



4

Black Finish Washer




8

8mm wood dowel


(Bag Label)

9 By _____

Mission style bed handles

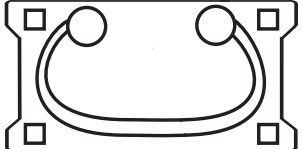


Qty 8



Qty 24

1" Machine screw




Qty 4

(Bag Label)

13 By _____

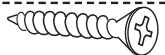
WARNING!

WALLBED MUST BE ANCHORED SECURELY
TO THE STUDS IN YOUR WALL! FAILURE
TO ANCHOR PROPERLY MAY CAUSE SEVERE
PERSONAL INJURY OR DAMAGE TO UNIT
SEE INSTALLATION INSTRUCTION OR CALL
866-725-6401 FOR MORE INFORMATION
THIS LABEL MUST BE MOUNTED TO BED CABINET TOP




60

1 1/4" Pocket Hole Screw



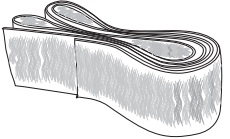
26

1 1/4" Wood Screw



4

1 1/4" Phillips washer
head wood screw

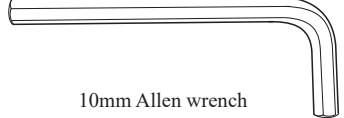


2

Elastic Straps

(Bag Label)

10 By _____

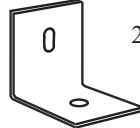


10mm Allen wrench


(Bag Label)

11 By _____

TWIN SIZE EXTRA HARDWARE



2



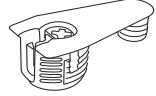
4

5/8" Pan head Screw

(Bag Label)

T By _____

Twin Size bed



4

Cam Fitting

(Bag Label)

Extra By _____

By _____

Warning Label (Attach to Bridge Top)

Rev. 10.18