



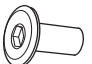
# Packing Layout for Original Disappearing Desk Bed

Customer \_\_\_\_\_


Invoice \_\_\_\_\_



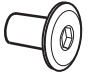
**Connecting Bolt**  
30  
(Bag Label)  
**1** By \_\_\_\_\_

 16  
 16  

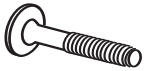

---

 4  


1/4" x 40mm

 4  


1/4" Barrel Nut  
(Bag Label)  
**7** By \_\_\_\_\_

 2  

1/4" x 45mm Connector

 4  


1/4" x 20mm Connector



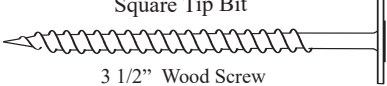
4mm Allen wrench  
(Bag Label)  
**8** By \_\_\_\_\_

**DVD**


Place DVD in  
Manila envelope By \_\_\_\_\_

 1  


Square Tip Bit

 3  


3 1/2" Wood Screw




1/4" Drill Bit  
(Bag Label)  
**6** By \_\_\_\_\_

 4  


2 1/2" BLACK Wood Screw

 4  

Black Finish Washer

 8  


8mm wood dowel  
(Bag Label)  
**9** By \_\_\_\_\_



Remington Style Handle Qty 2  
(Bag Label)  
**13** By \_\_\_\_\_

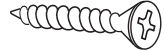
**WARNING!**

WALLBED MUST BE ANCHORED SECURELY TO THE STUDS IN YOUR WALL! FAILURE TO ANCHOR PROPERLY MAY CAUSE SEVERE PERSONAL INJURY OR DAMAGE TO UNIT SEE INSTALLATION INSTRUCTION OR CALL 866-725-6401 FOR MORE INFORMATION THIS LABEL MUST BE MOUNTED TO BED CABINET TOP

 60  


1 1/4" Pocket Hole Screw

---

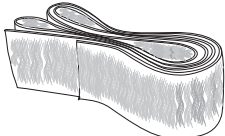
 26  

1 1/4" Wood Screw

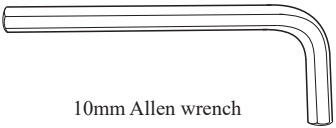
---

 4  

1 1/4" Phillips washer head wood screw

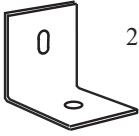
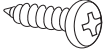
 2  

Elastic Straps  
(Bag Label)  
**10** By \_\_\_\_\_

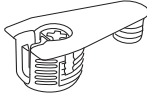


10mm Allen wrench  
(Bag Label)  
**11** By \_\_\_\_\_

**TWIN SIZE EXTRA HARDWARE**

 2  
 4  

5/8" Pan head Screw  
(Bag Label)  
**T** By \_\_\_\_\_  
Twin Size bed

 4  

Cam Fitting  
(Bag Label)  
**Extra** By \_\_\_\_\_

Warning Label (Attach to Bridge Top)

By \_\_\_\_\_