



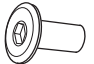
# Packing Layout for Scape Murphy Desk Bed


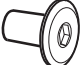
Customer \_\_\_\_\_

Invoice \_\_\_\_\_






**Connecting Bolt**  
30  
(Bag Label)  
**1** By \_\_\_\_\_

 16  
**3/16" Machine Screw**  
 16  
**3/16" Barrel Nut**


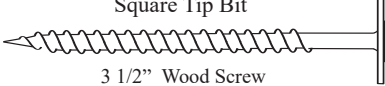

 4  
**1/4" x 40mm**  
 4  
**1/4" Barrel Nut**




(Bag Label)  
**7** By \_\_\_\_\_

 2  
**1/4" x 45mm Connector**  
 4  
**1/4" x 20mm Connector**  
 4  
**4mm Allen wrench**  
 (Bag Label)  
**8** By \_\_\_\_\_

**DVD**

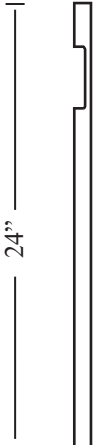

Place DVD in  
Manila envelope By \_\_\_\_\_

 1  
**Square Tip Bit**  
 3  
**3 1/2" Wood Screw**  
 1  
**1/4" Drill Bit**  
 (Bag Label)  
**6** By \_\_\_\_\_

 4  
**2 1/2" BLACK Wood Screw**  
 4  
**Black Finish Washer**  
 8  
**8mm wood dowel**  
 (Bag Label)  
**9** By \_\_\_\_\_

**Bed Handles**

Qty 2


 24"  
 6  
**1" Machine screw**  


Handles are  
not in manila  
envelope but are  
in bed box.


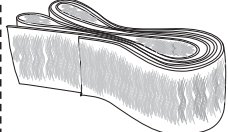
(Bag Label)  
**13** By \_\_\_\_\_

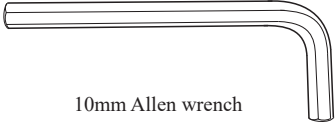
**WARNING!**

WALL BED MUST BE ANCHORED SECURELY TO THE STUDS IN YOUR WALL! FAILURE TO ANCHOR PROPERLY MAY CAUSE SEVERE PERSONAL INJURY OR DAMAGE TO UNIT SEE INSTALLATION INSTRUCTION OR CALL 866-725-6401 FOR MORE INFORMATION THIS LABEL MUST BE MOUNTED TO BED CABINET TOP

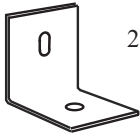
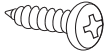
 60  
**1 1/4" Pocket Hole Screw**

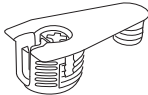
 26  
**1 1/4" Wood Screw**

 4  
**1 1/4" Phillips washer head wood screw**  
 2  
**Elastic Straps**  
 (Bag Label)  
**10** By \_\_\_\_\_

 1  
**10mm Allen wrench**  
 (Bag Label)  
**11** By \_\_\_\_\_

**TWIN SIZE EXTRA HARDWARE**

 2  
 4  
**5/8" Pan head Screw**  
 (Bag Label)  
**T** By \_\_\_\_\_  
 Twin Size bed

 4  
**Cam Fitting**  
 (Bag Label)  
**Extra** By \_\_\_\_\_

By \_\_\_\_\_

Warning Label (Attach to Bridge Top)