



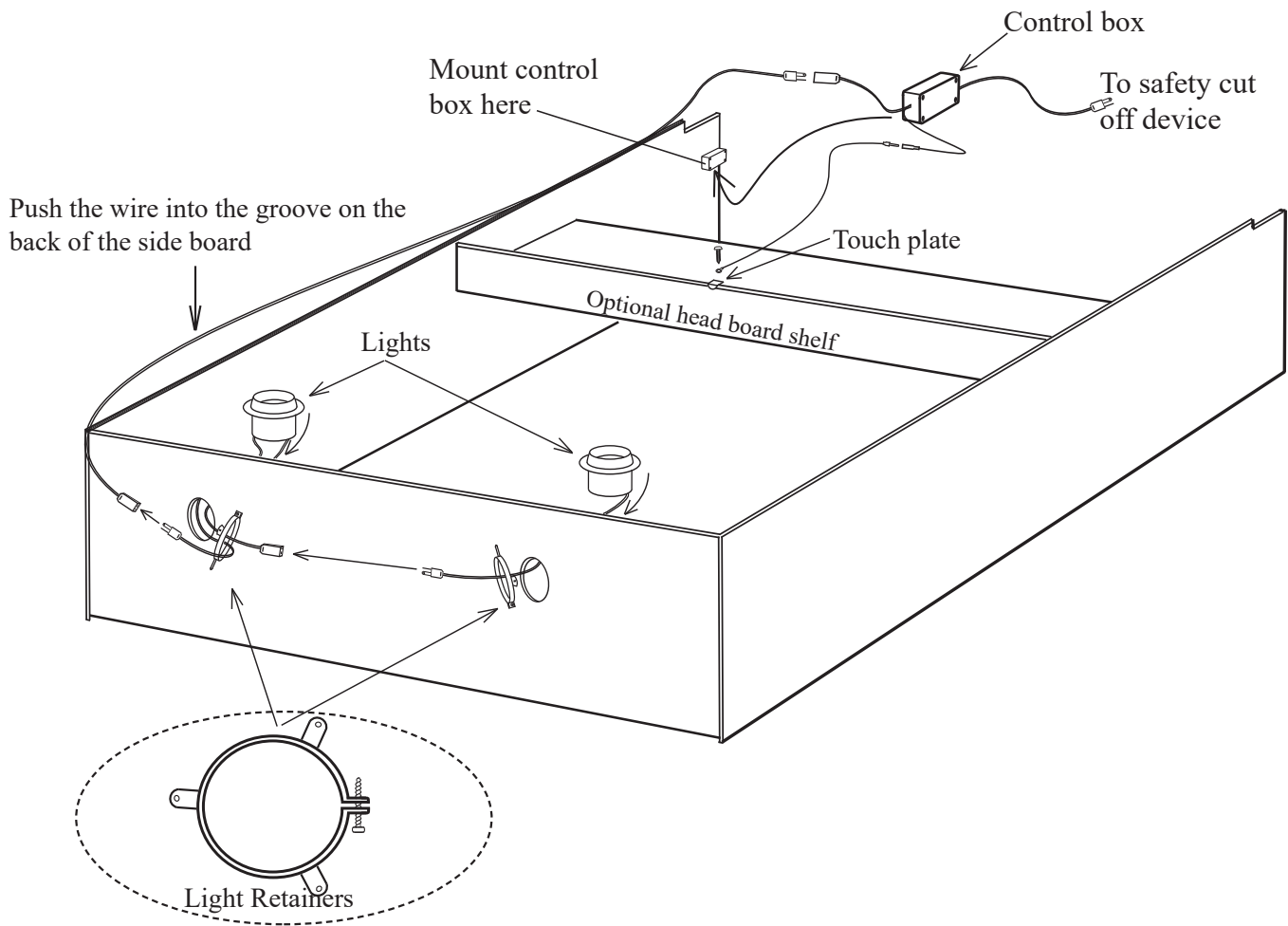
Wilding Wallbeds

Home Front Series (piston lift)

Light kit installation instructions

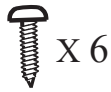
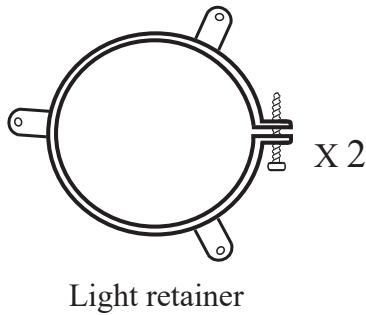
All illustrations are shown with the bed cabinet and the bed face laying down flat on the floor

Over view diagram

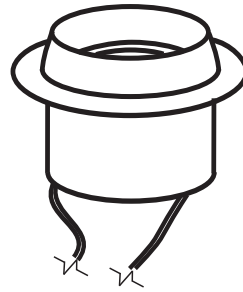


rev. 11/20

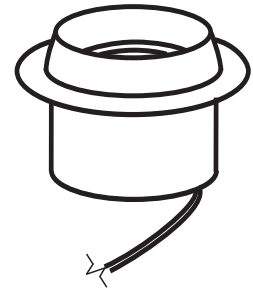
Items need for next steps



5/8" Screw X 6

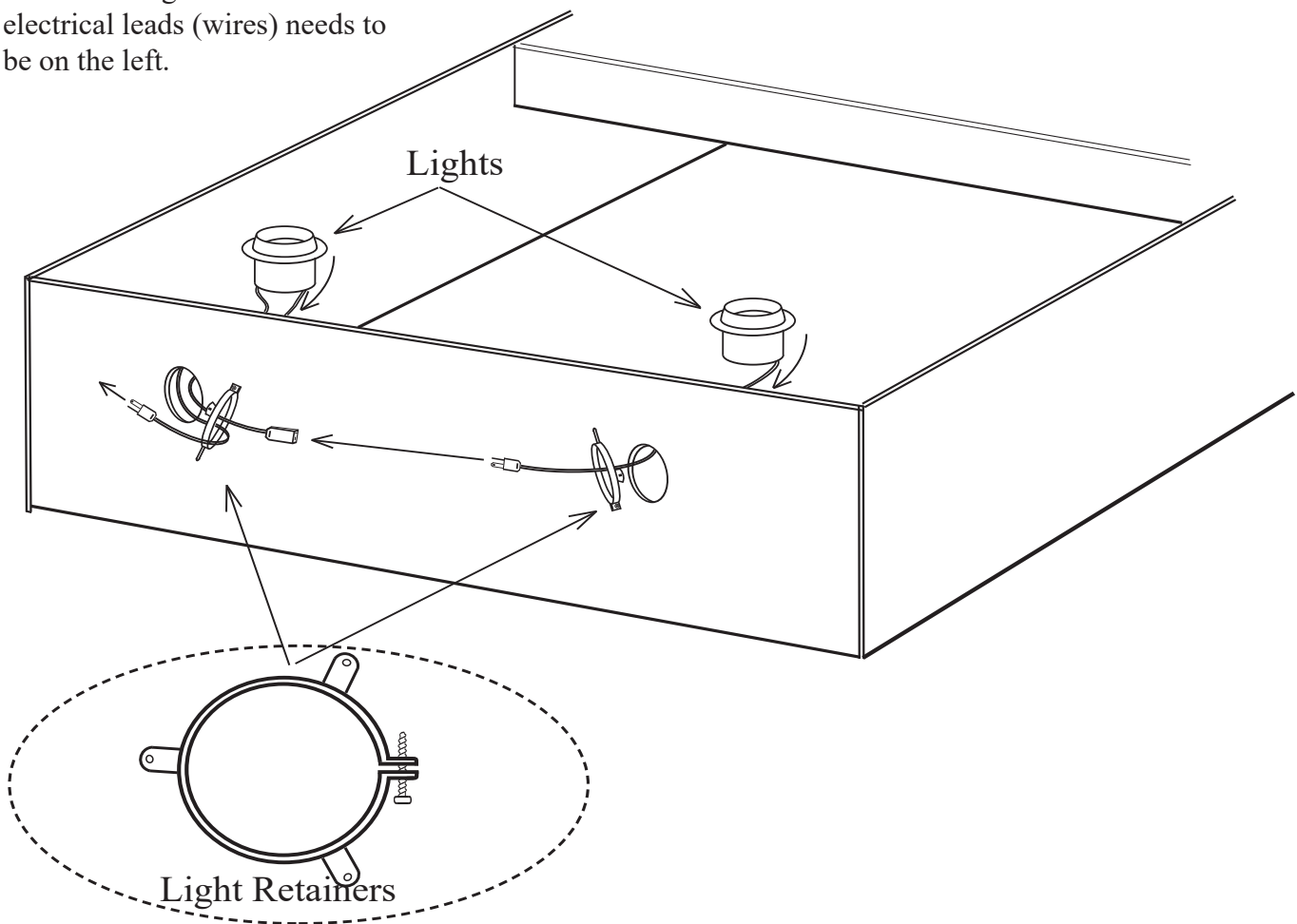


Left double lead light



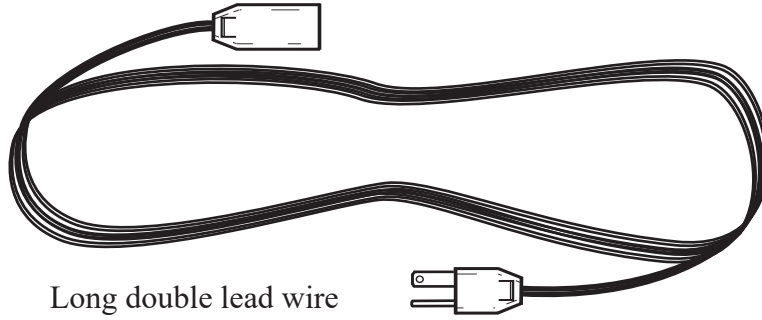
Right single lead light

Step 1: Put the lights through the holes in the Bridge Board.
NOTE: the light with the two electrical leads (wires) needs to be on the left.



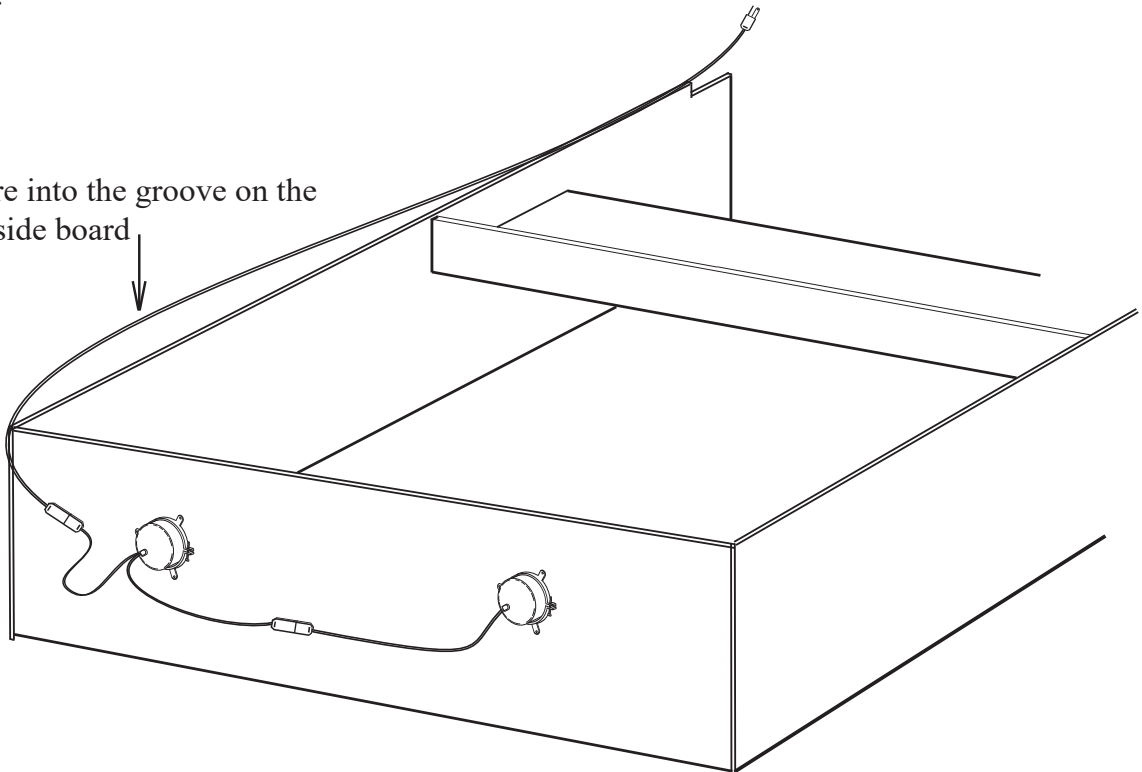
Step 2: Slide the black retainers over the lights so that the retainer is pushed down on the top of the bridge board. Make sure the lights are pushed up tight to the finished side of the bridge board. Now tighten the black screw on the side of the retainer so it holds the light. **DO NOT OVER TIGHTEN.** Fasten the retainers to the Bridge Board using six 5/8" pan head screws. Plug the lights together so the male lead on the single lead light is plugged into the female lead of the double lead light.

Item need for next steps

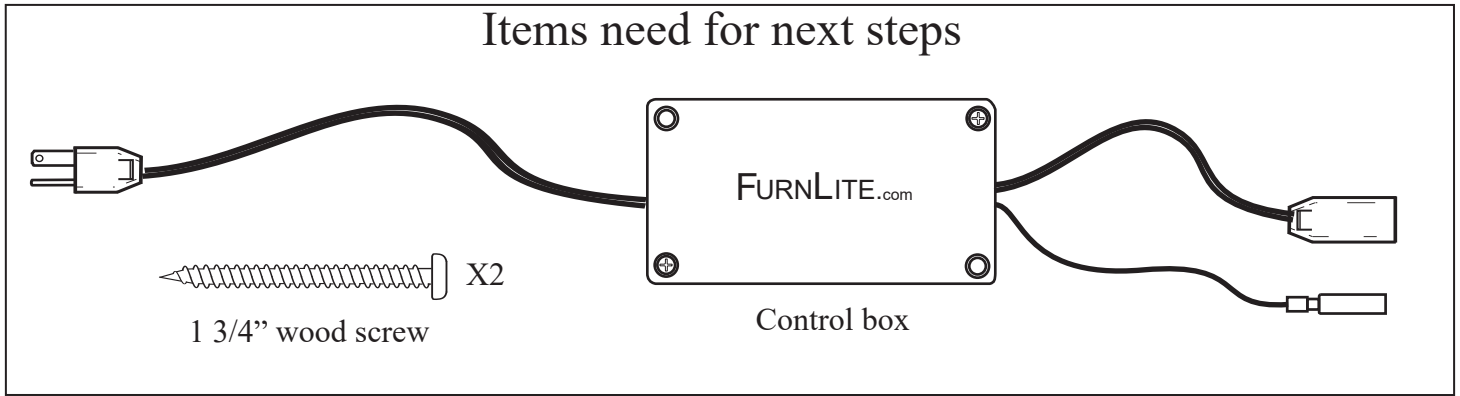


Step: 3 Run the long double lead wire from the Lights down the left Side Board by inserting it into the groove in the back of the left Side Board.

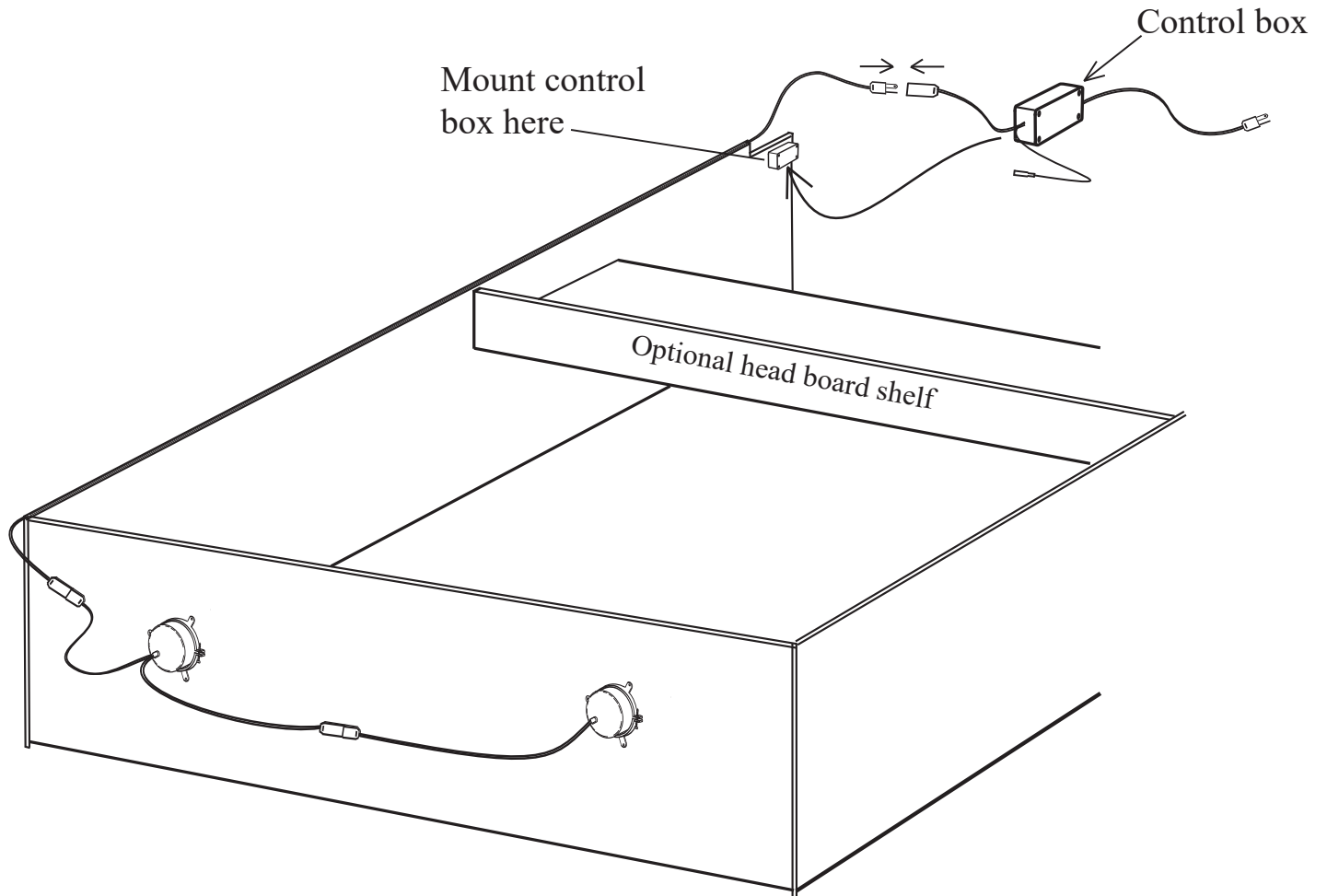
Push the wire into the groove on the back of the side board



Items need for next steps

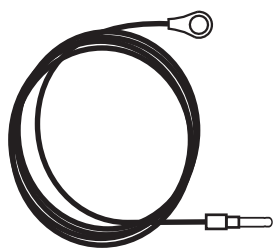
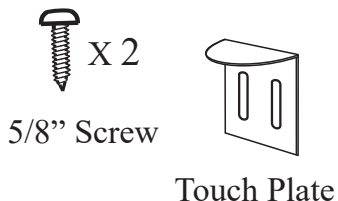


Step: 4 Mount the light kit control box as illustrated below. The Box should be approximately 1/2" from the bottom of the side board and approximately 1/4" from the base board notch. If your bed does not have a notch for base boards, attach it 1/4" from the back of the side board. Now use two 1-3/4" screw to mount it to the side board.



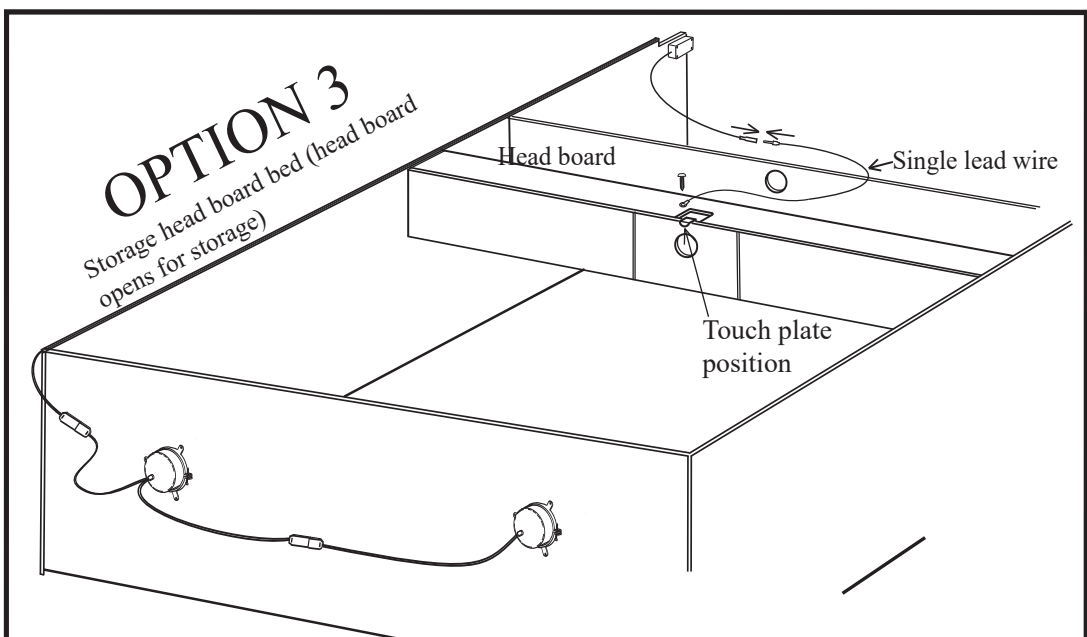
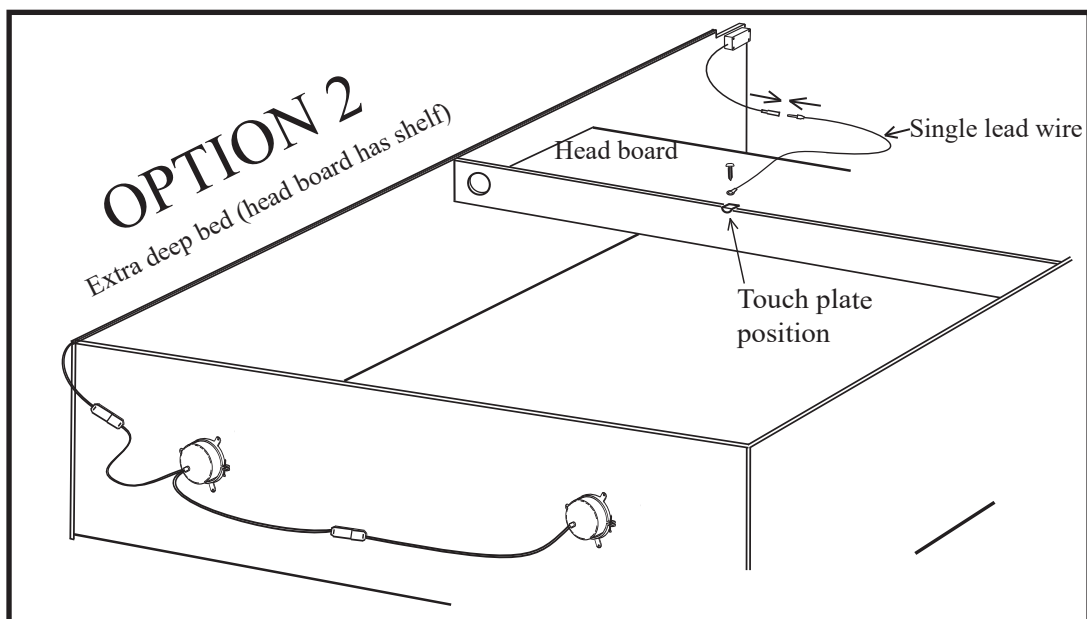
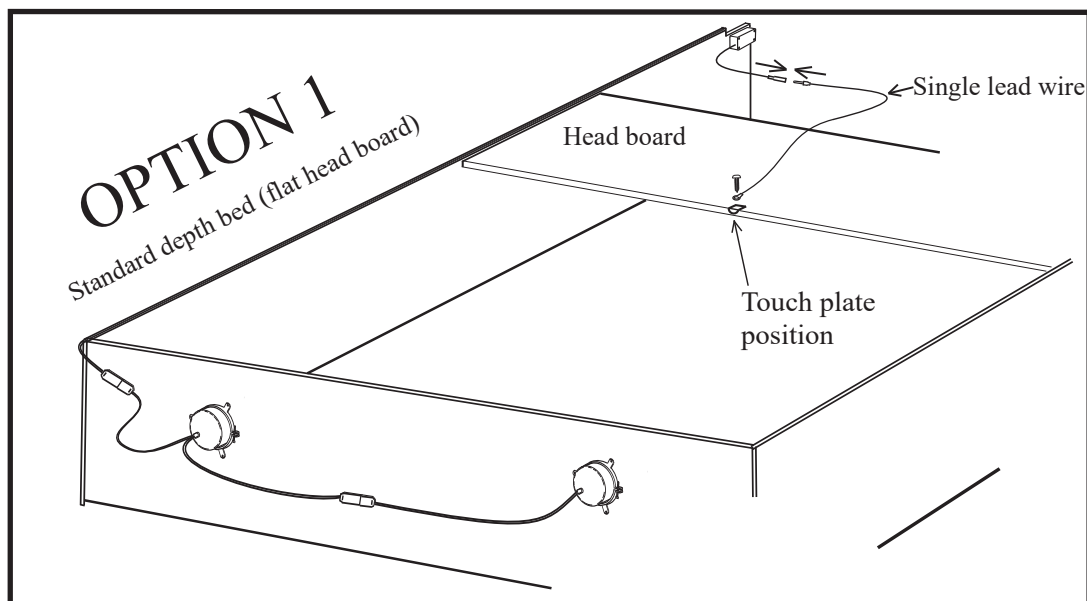
Wilding Wallbeds offers 3 depth options on their Wallbeds. Determine which bed you purchased.

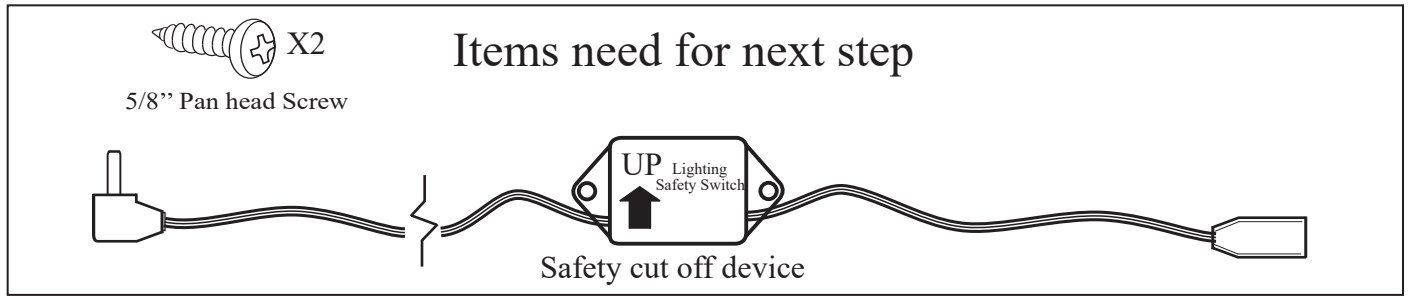
Items need for next step



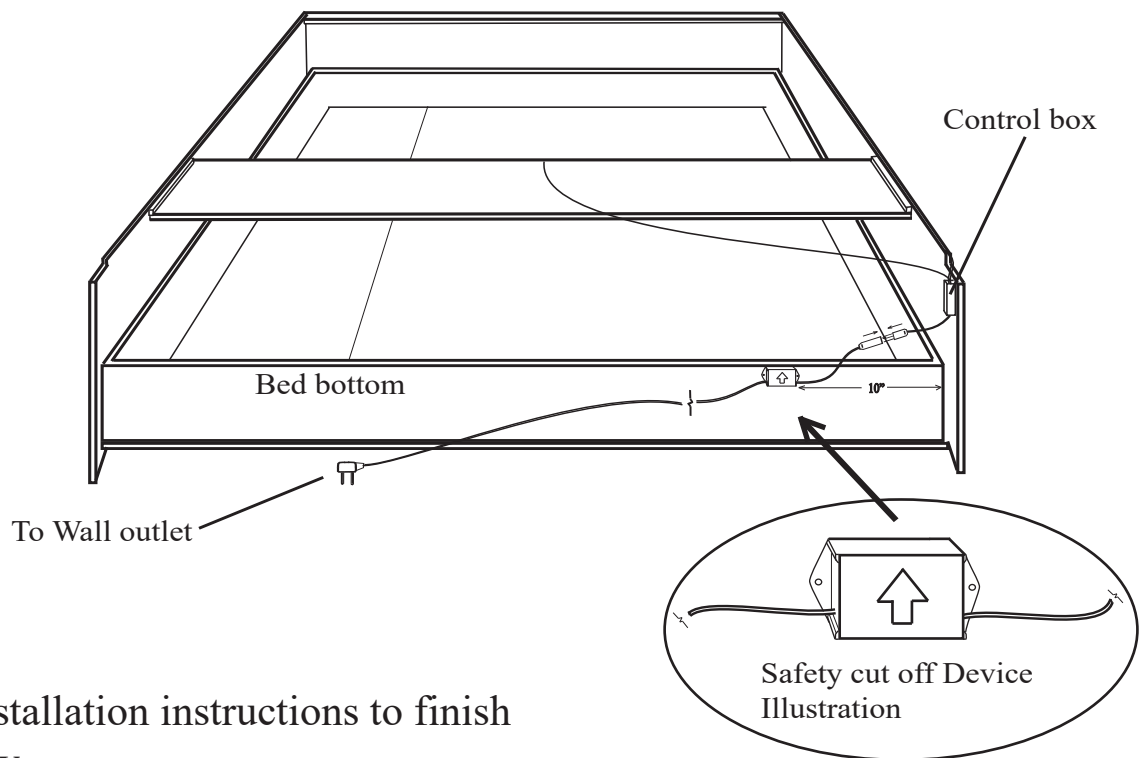
Step 5: Plug the single lead wire into the single lead from the control box. Next, at the center point of the head board use two 5/8" pan head screws to attach touch plate to the back of the head board with one screw first going through the eye hole of the single lead wire. Insure the rounded side of the touch plate rests on the top edge of the head board. See illustration.

Helpful hint: The touch plate has a thin protective plastic cover that needs to be removed.





Step: 6 Attach the safety cut off device to the Bed bottom. Place it about 10 inches from the side and as close to the top of the bed box as possible as illustrated. Use two 5/8" pan head screws to secure it. Make sure the arrow on the safety cut off device points up.



Return to installation instructions to finish bed assembly

WARNING! IT IS VERY IMPORTANT THAT YOU TEST THE SAFETY CUT OFF DEVICE. ONCE THE BED IS INSTALLED OPEN THE BED AND TURN THE LIGHTS ON BY TOUCHING THE BRASS TOUCH PLATE ON TOP OF THE HEADBOARD. ONCE THE LIGHTS ARE ON, CLOSE THE BED AND VERIFY THAT THE LIGHTS GO OFF AS THE BED CLOSSES. IF THE LIGHTS DO NOT OPERATE PROPERLY, UNPLUG THE LIGHTS AND CALL 1-866-877-7803 FOR TECHNICAL HELP.